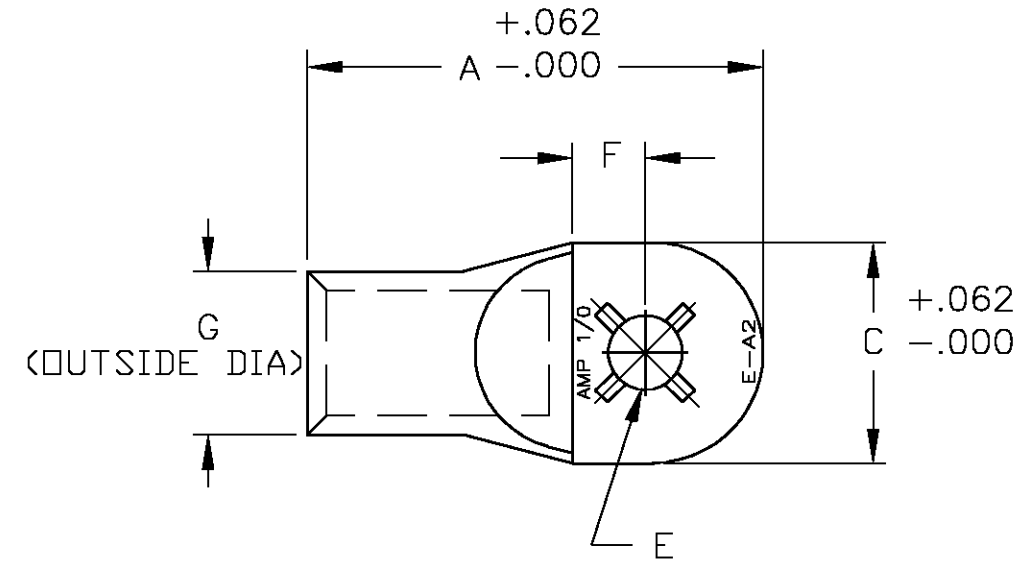
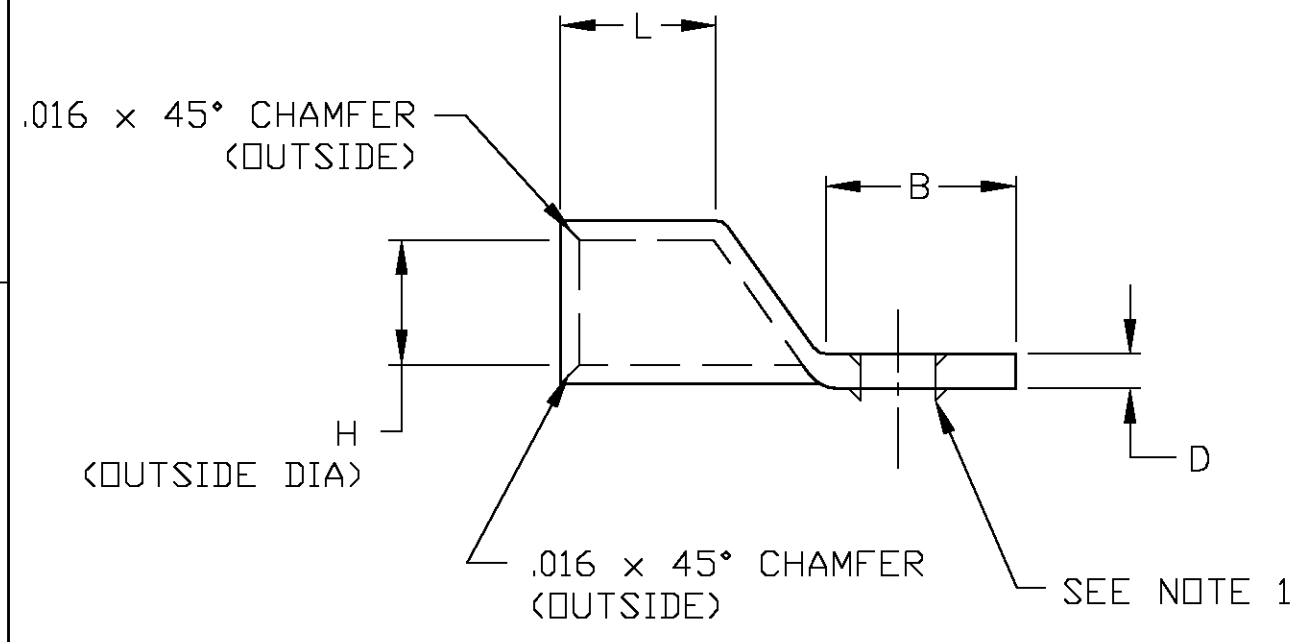


THIS DRAWING IS UNPUBLISHED. RELEASED FOR PUBLICATION
 © COPYRIGHT BY TYCO ELECTRONICS CORPORATION. ALL RIGHTS RESERVED.

LOC	DIST	REVISIONS					
AA	27	P	LTR	DESCRIPTION	DATE	DWN	APVD
			C	REV PER 0G3A-0088-05	01JUN05	JR	MS



1. LOCKING LANCE FOR P/N -2 AND -7 ONLY.



	.250	.750	.469	.609	.438	ø.266	.141	.86	.938	2.125	606716-7
OBSOLETE	.250	.750	.469	.609	.438	ø.266	.141	.86	.938	2.125	606716-6
	.375	.750	.469	.609	.438	ø.391	.141	.86	.938	2.125	606716-5
	.500	.750	.469	.609	.500	ø.516	.141	.86	.938	2.125	606716-4
OBSOLETE	.438	.750	.469	.609	.438	ø.453	.141	.86	.938	2.125	606716-3
	.375	.750	.469	.609	.438	ø.391	.141	.86	.938	2.125	606716-2
	.312	.750	.469	.609	.438	ø.328	.141	.86	.938	2.125	606716-1
BOLT HOLE SIZE	L	H	G	F	E	D	C	B	A	PART NUMBER	
DIMENSIONS, INCHES											

THIS DRAWING IS A CONTROLLED DOCUMENT.		DWN	L. HALL	18APR00	tyco Electronics	Tyco Electronics Corporation	
		CHK	L.H. SMITH	12MAY00		Harrisburg, Pa 17105-3608	
DIMENSIONS: INCHES		APVD	B. ANTHONY	12MAY00	NAME		
TOLERANCES UNLESS OTHERWISE SPECIFIED:		PRODUCT SPEC		AMP TUBULAR TERMINAL 1/0 (ROUND TONGUE)			
0 PLC ±		APPLICATION SPEC		SIZE	CAGE CODE	DRAWING NO	RESTRICTED TO
1 PLC ±				A300779		C-606716	
2 PLC ± .02				CUSTOMER DRAWING		SCALE	SHEET
3 PLC ± .005						1:1	1 OF 1
4 PLC ± .0005							REV
ANGLES ± 3'							C
MATERIAL	FINISH	WEIGHT					
HIGH CONDUCTIVITY WROUGHT COPPER	ELECTRO TIN PLATE	-					